



Sparkle Power Inc.
A Leading Power Supply Manufacturer
Web site: www.sparklepower.com

MAGNA 1200(R-SPM1200AXJ8)
(80 Plus Bronze and RoHS Compliant)
1200 Watts ATX12V & EPS12V Switching Power Supply

Features

- Complied with ATX12V and EPS12V standard
- Active Power Factor Correction (PFC) meet EN61000-3-2
- High efficiency and reliability
- Compatible with European Union Directive 2002/95/EC (Restriction on Hazardous Substances).
- Remote ON/OFF function
- Internal 12V DC fan included
- Noise Killer (thermal fan speed control function)
- Low noise and ripple
- Output over voltage, short circuit, and over current protection
- 100% Hi-pot, ATE, and burn-in tested
- Re-settable power shut down
- Complies with FCC part 15 subpart J class B 115Vac operation, and CISPR 22 class B at 230Vac operation
- Approved by UL/CUL 60950-1, CB,CE,TUV, Nemko ,FCC

Input Characteristics

Input Range: 90 ~ 264Vac, Full Range Input
Frequency: 47 ~ 63Hz
Input Current: Max 15A @ 115Vac, 7.5A @ 230Vac
Inrush Current: No damage

Output Characteristics

Output Voltage	Minimum Load	Normal Load	Maximum Load	Load Reg.	Ripple & Noise
+3.3V	0.0A	15A	30A	± 5%	100mV P-P
+5V	0.0A	15A	30A	± 5%	100mV P-P
+12V1~+12V6	0.0A	10A	20A	± 5%	240mV P-P
-12V	0.0A	0.3A	0.6A	± 10%	240mV P-P
+5Vsb	0.0A	2.0A	4.0A	± 5%	100mV P-P

- * +3.3V and +5V total output not exceed 210W.
- * Maximum combined current for the 12V outputs shall be 90 A.
- * Total output for this subject power supply is 1200W

Sparkle Power Inc.
Main Office
1000 Rock Avenue
San Jose, CA 95131
TEL: 408-519-8888
FAX: 408-519-9999
E-MAIL: info@sparklepower.com

Sparkle Power Inc.
Los Angeles Office
17071 Green Drive
City of Industry, CA 91745
TEL: 626-839-7180
FAX: 626-839-3395



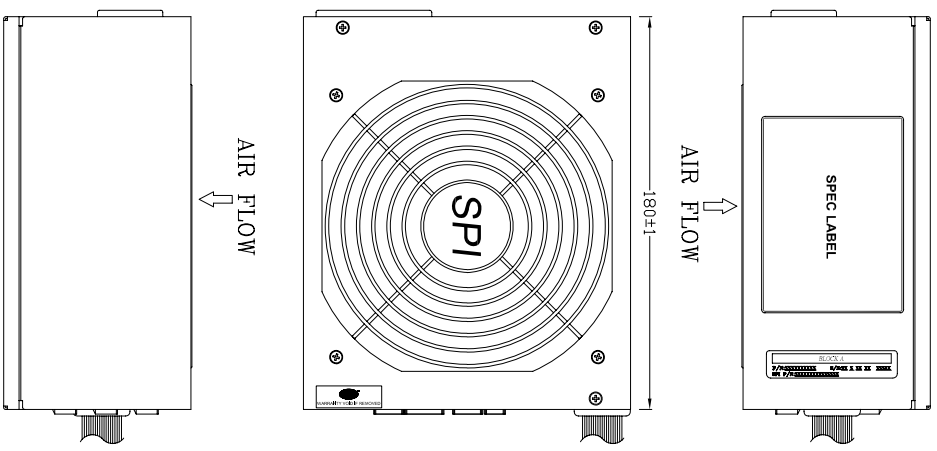
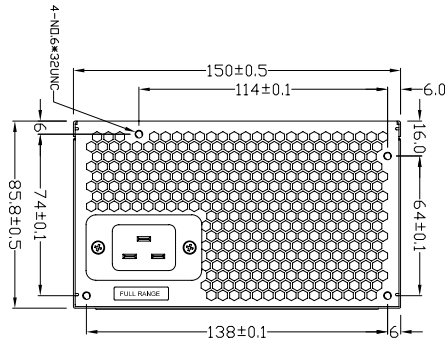
Specification

- **Temperature Range:** Operating: 0°C ~ +50°C ; 1200W at 30°C, De-rate 10W/°C from 50°C to 30°C ,1000W at 50°C.
Storage & shipping: -20°C ~ +80°C
- **Humidity:** 5%~95% on operating, 5%~ 95% on storage
- **Dielectric Withstand:** Primary frame ground 1800V AC for 1 second
- **Efficiency:** typical > 85%
- **Rise time:** Less than 20ms
- **Hold-up Time:** 17ms minimum at nominal input voltage
- **Power Good Signal:** Power on delay time 100 ~ 500ms, off delay 1ms minimum (TTL and CMOS compatible)
- **Leakage Current:** Less than 3.5mA.
- **MTBF:** 100,000 hours on maximum load at +25°C
- **Dimensions (LxWxH):** 180x150x85.8mm/7.1x5.9x3.4inch

REF. ID.	PIN NO.	SIGNAL	WIRE COLOR	GUAGE	CONNECTOR TYPE	CABLE LENGTH
P1	1	+3.3V	ORANGE	18	P30-143008K11D +P4-143008K11D or EQUIV.	500 \pm 20 mm
	2	+3.3V	ORANGE	18		
	3	COM	BLACK	18		
	4	+5V	RED	18		
	5	+5Vsense	RED	24		
	6	COM	BLACK	18		
	7	+5V	RED	18		
	8	COM	BLACK	18		
	9	PWR_ON	GRAY	24		
	10	+5Vsb	PURPLE	18		
	11	+12V1	YELLOW	18		
	12	+12V1sense	YELLOW	24		
	13	+3.3V	ORANGE	18		
	14	+3.3Vsense	ORANGE	24		
	15	-12V	BLUE	24		
	16	COM	BLACK	18		
	17	PS_ON	GREEN	24		
	18	COM	BLACK	18		
	19	COM	BLACK	18		
	P2	20	COM	BLACK		
21		+5V	RED	18		
22		+5V	RED	18		
23		+5V	RED	18		
24		COM	BLACK	18		
1		COM	BLACK	18		
2		COM	BLACK	18		
3		COM	BLACK	18		
P3	4	COM	BLACK	18	P4-142002K3B +P4-142002K4B or EQUIV.	500 \pm 10 mm
	5	+12V2	YEL./BLACK	18		
	6	+12V2	YEL./BLACK	18		
	7	+12V2	YEL./BLACK	18		
	8	+12V2	YEL./BLACK	18		
	1	COM	BLACK	18		
	2	COM	BLACK	18		
	3	COM	BLACK	18		

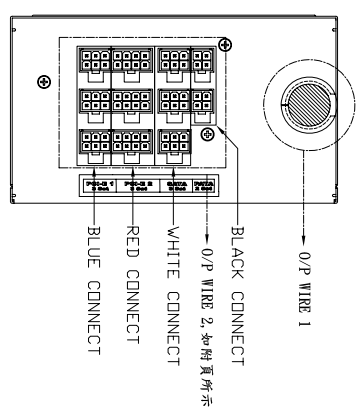
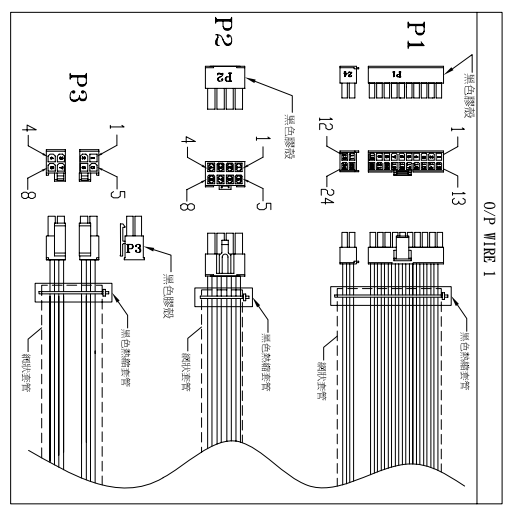
REF. ID.	SIGNAL	CABLE LENGTH
P4 & P7	+12V3	500 \pm 20 mm
P5 & P8	+12V4	500 \pm 20 mm
P6 & P9	+12V5	500 \pm 20 mm
P10&P14&P17	+12V6	500 \pm 20 mm
P11&P12&P13	+12V6	150 \pm 10 mm
P15&P16	+12V6	150 \pm 10 mm
P18&P19	+12V6	150 \pm 20 mm
P20& P24	+12V6	500 \pm 20 mm
P21&P22&P23	+12V6	150 \pm 10 mm
P25&P26&P27	+12V6	150 \pm 10 mm

UNIT:mm



P/N.:PPA12A0200

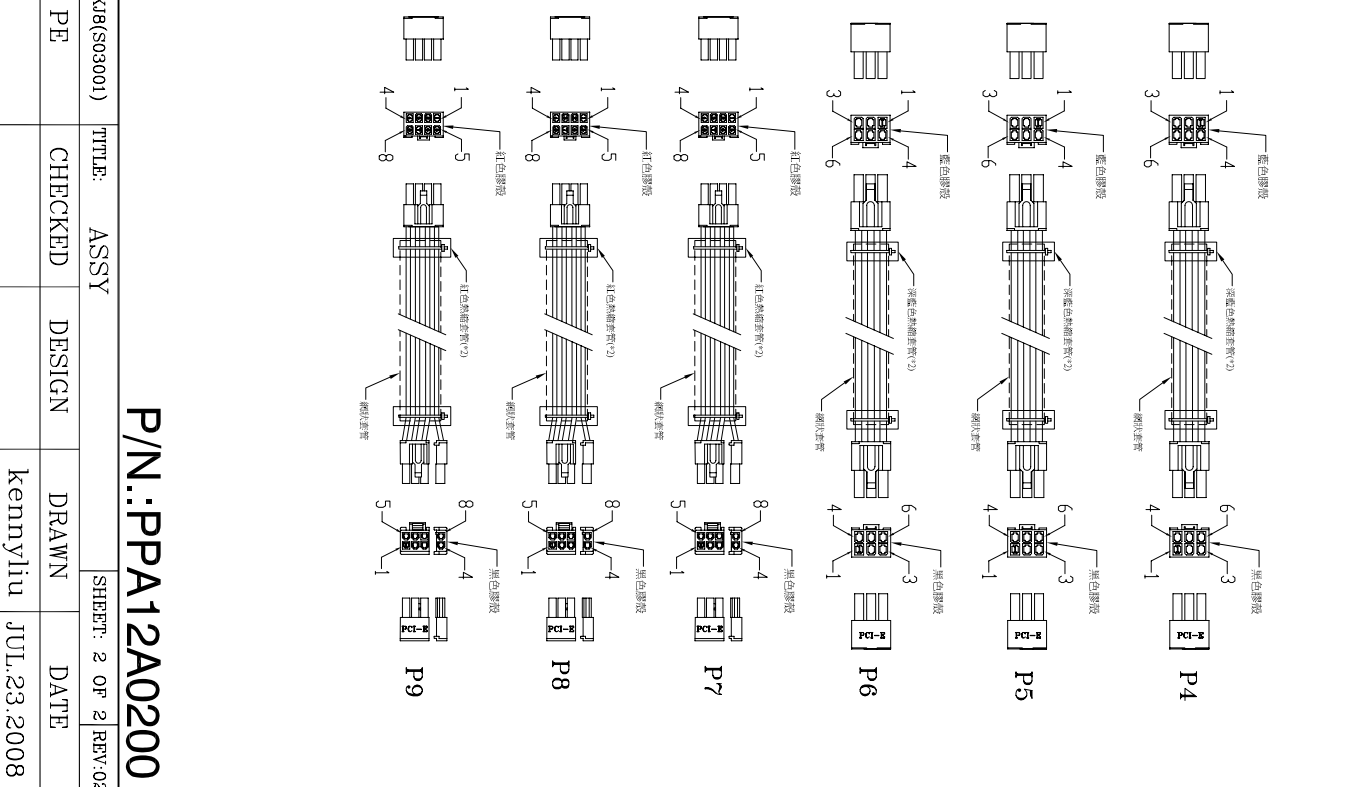
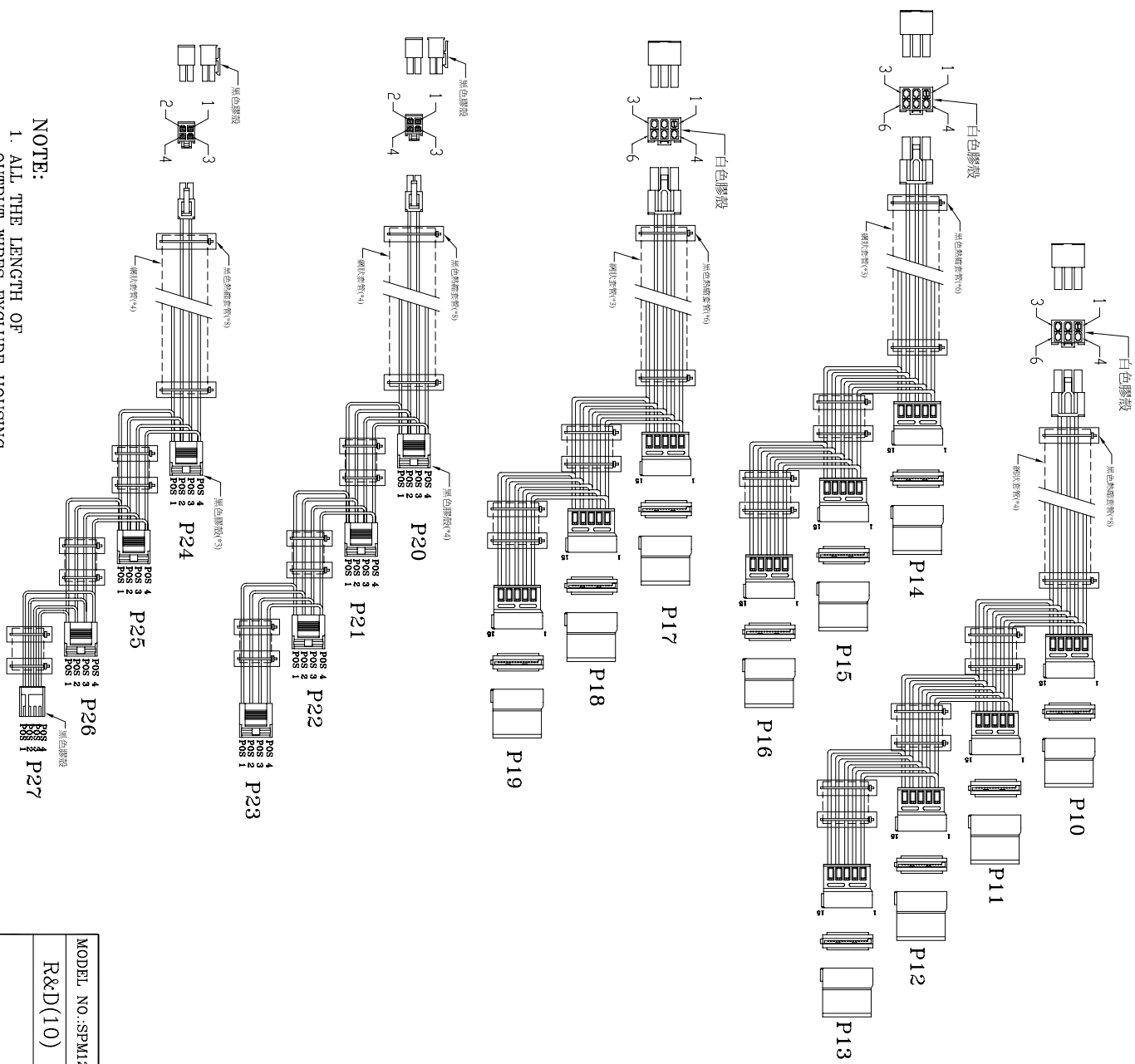
- NOTE:
1. ALL THE LENGTH OF OUTPUT WIRES EXCLUDE HOUSING.
 2. 產地標籤依業務指示加貼.
 3. CASE顏色為BLACK C 2X加噴光漆



MODEL NO.:SPM1200AX18(S03001)	TITLE: ASSY	SHEET: 1 OF 2	REV:02
R&D(10)	PE	CHECKED	DESIGN
			DRAWN
			DATE
			kennyliu
			JUL.23.2008

所有網狀套管皆用黑色金邊編織網

UNIT:mm



P/N.:PPA12A0200

NOTE:
1. ALL THE LENGTH OF OUTPUT WIRES EXCLUDE HOUSING.
2. 產地標籤依業務指示加貼:

MODEL NO.:SPM1200AX18(S03001)	TITLE: ASSY	SHEET: 2 OF 2		REV:02
R&D(10)	PE	CHECKED	DESIGN	DATE
			kennyliu	JUL.23.2008